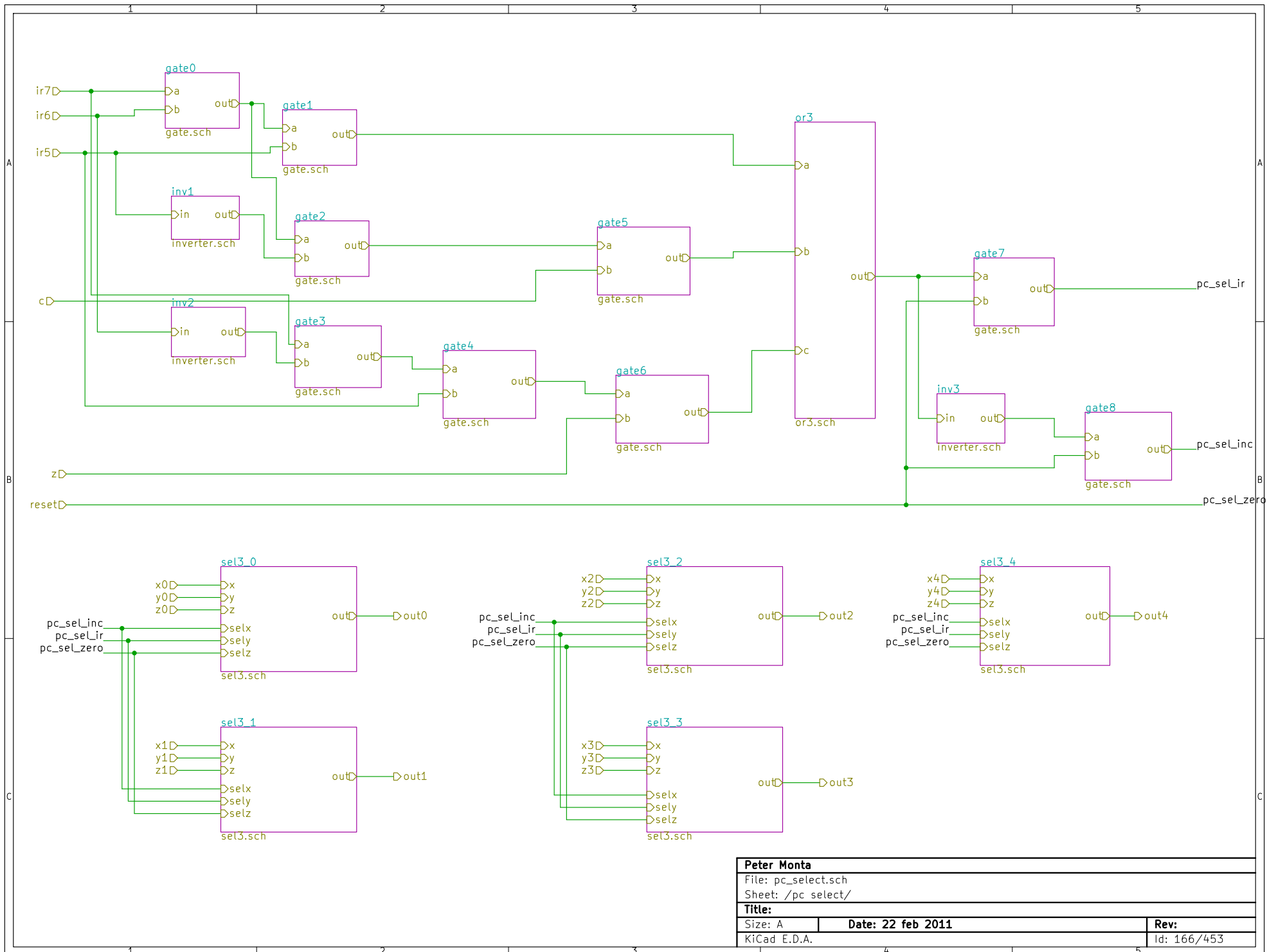
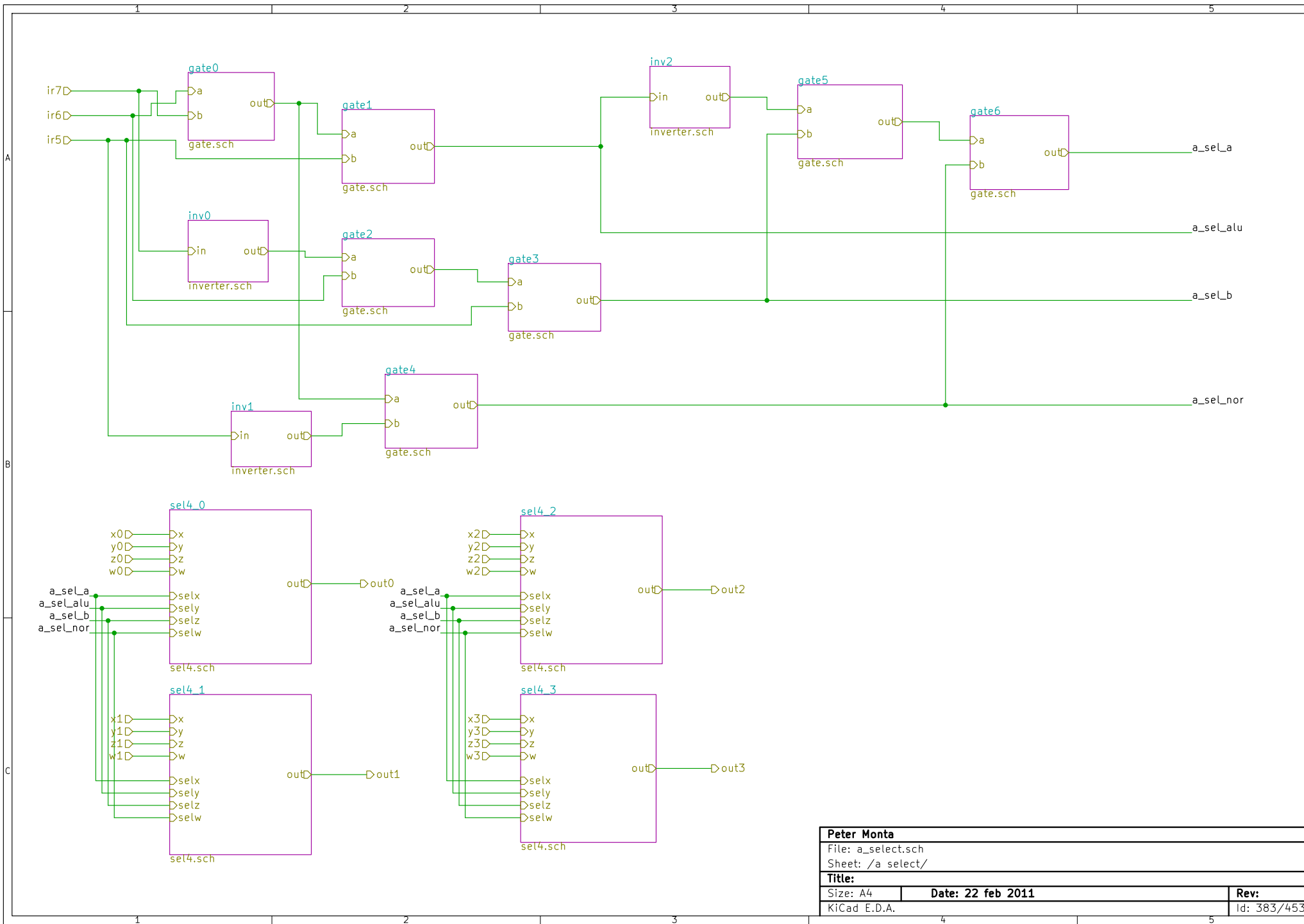


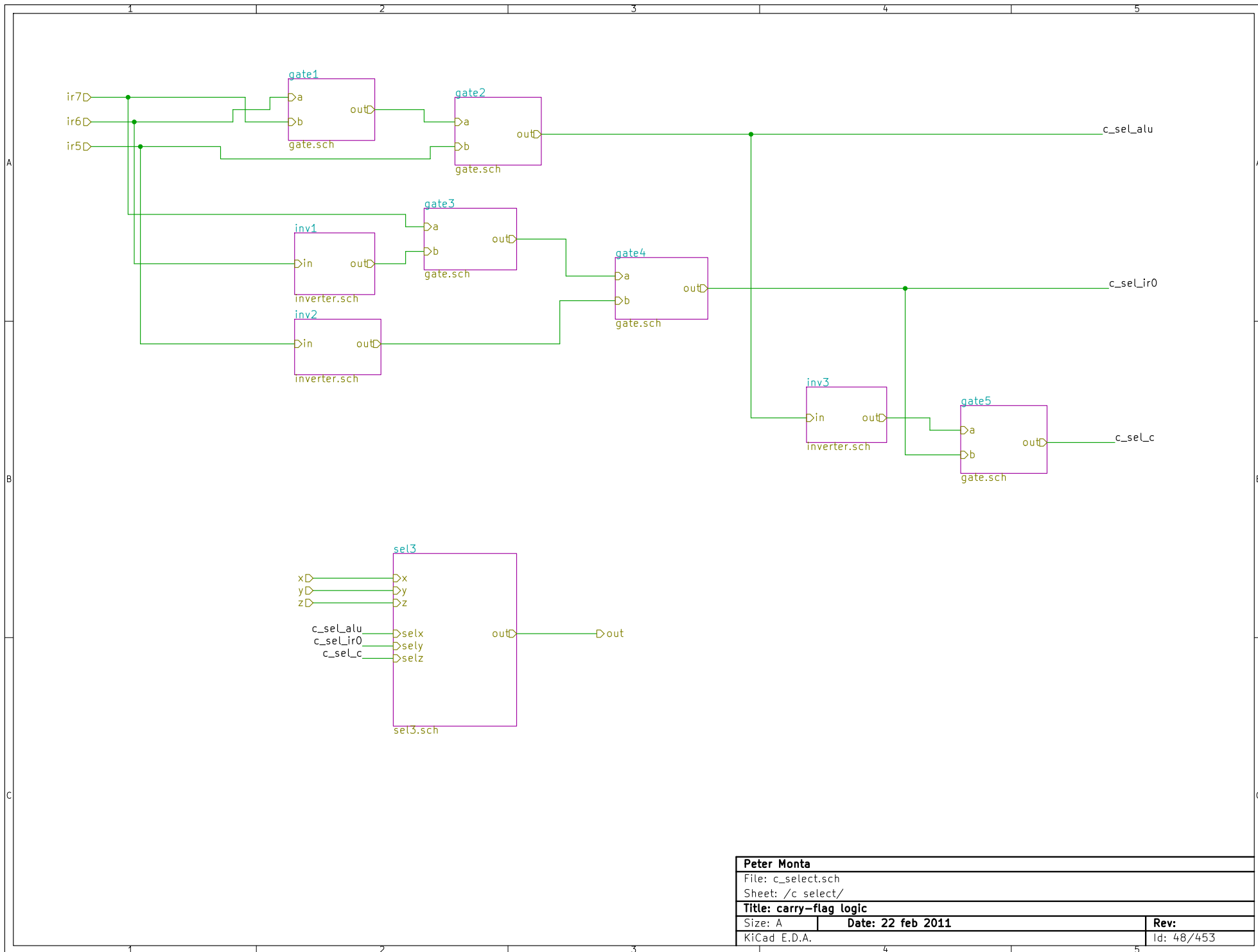
Peter Monta		
File: 555cpu.sch		
Sheet: /		
Title: 555 CPU		
Size: B	Date: 22 feb 2011	Rev:
KiCad E.D.A.		Id: 1/453



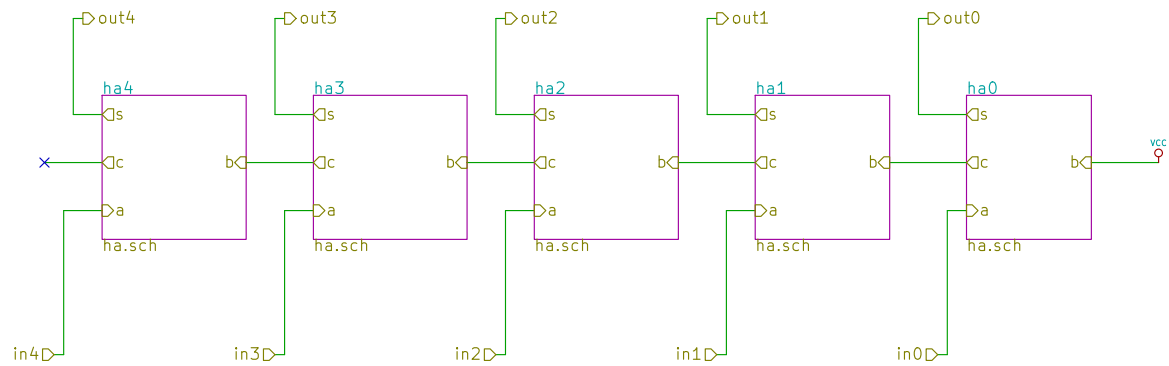
Peter Monta		
File: pc_select.sch		
Sheet: /pc select/		
Title:		
Size: A	Date: 22 feb 2011	Rev:
KiCad E.D.A.		Id: 166/453



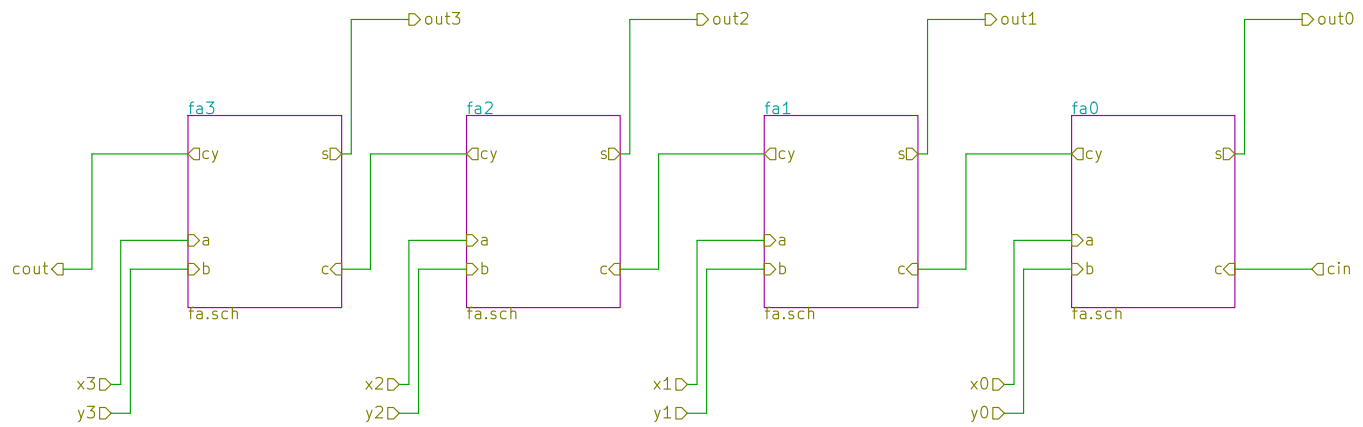
Peter Monta		
File: a_select.sch		
Sheet: /a select/		
Title:		
Size: A4	Date: 22 feb 2011	Rev:
KiCad E.D.A.		Id: 383/453



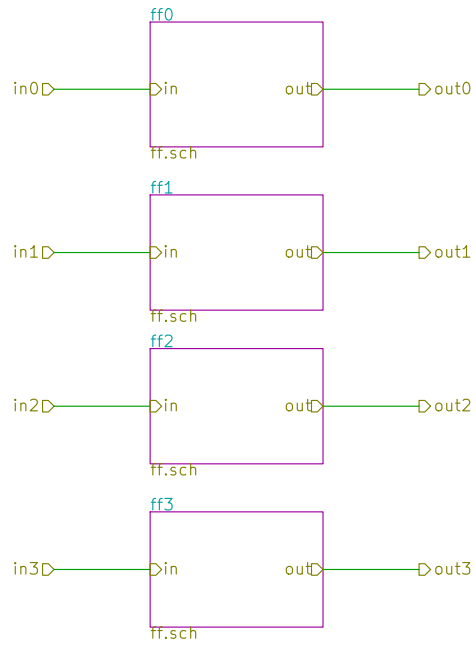
Peter Monta	
File: c_select.sch	
Sheet: /c select/	
Title: carry-flag logic	
Size: A	Date: 22 feb 2011
KiCad E.D.A.	Rev:
	Id: 48/453



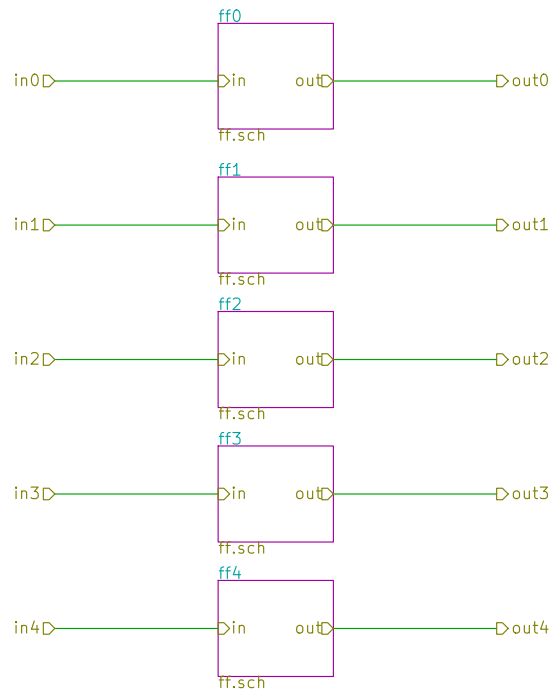
Peter Monta		
File: increment.sch		
Sheet: /incrementer/		
Title:		
Size: A4	Date: 22 feb 2011	Rev:
KiCad E.D.A.		Id: 69/453



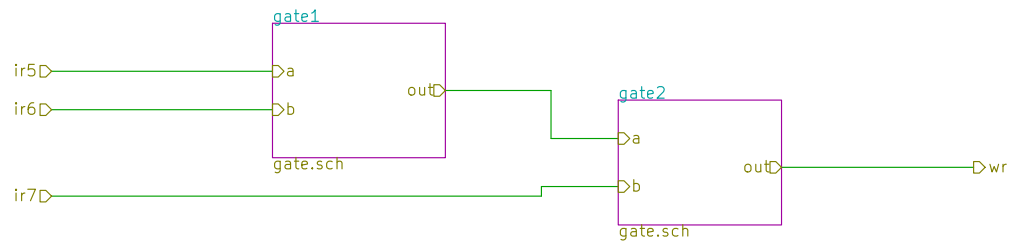
Peter Monta		
File: alu.sch		
Sheet: /ALU/		
Title: ALU		
Size: A	Date: 22 feb 2011	Rev:
KiCad E.D.A.		Id: 257/453



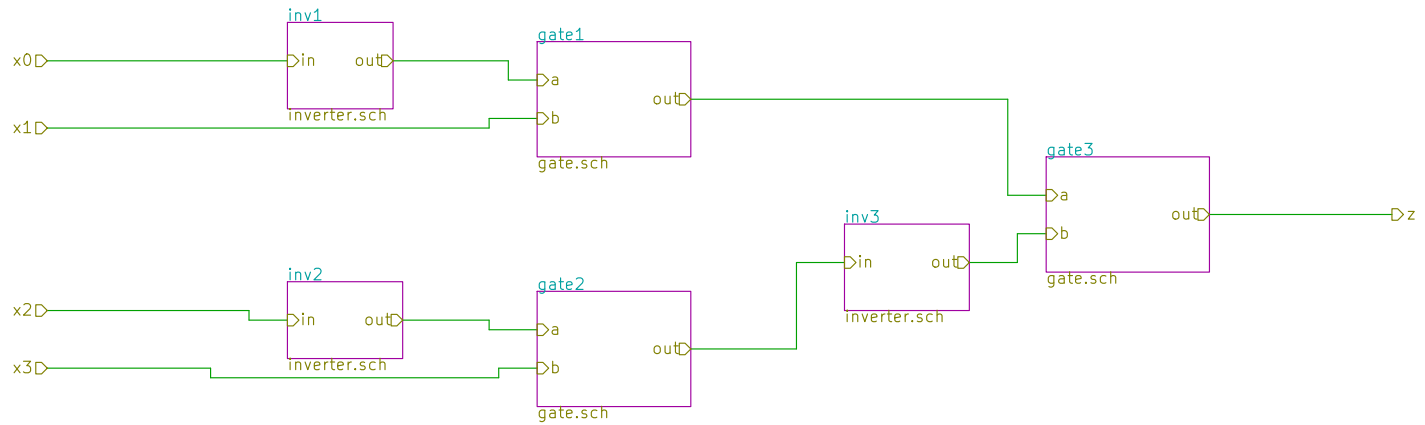
Peter Monta	
File: a_reg.sch	
Sheet: /a register/	
Title: accumulator register	
Size: A	Date: 22 feb 2011
KiCad E.D.A.	Rev: Id: 338/453



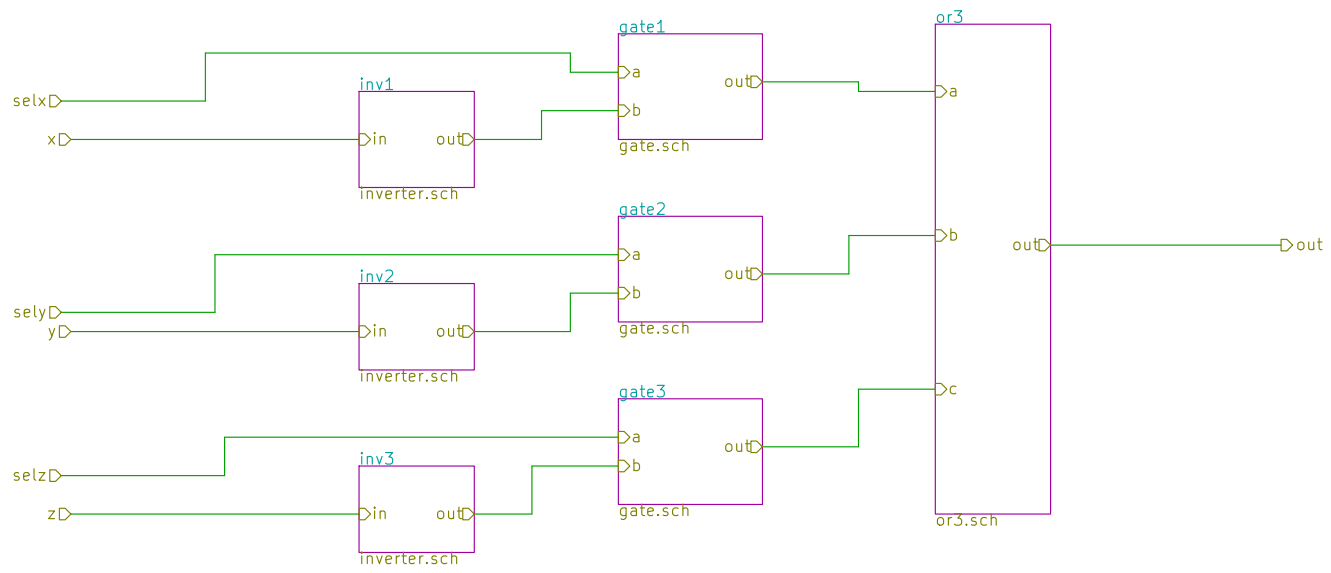
Peter Monta		
File: pc.sch		
Sheet: /pc register/		
Title:		
Size: A4	Date: 22 feb 2011	Rev:
KiCad E.D.A.		Id: 110/453



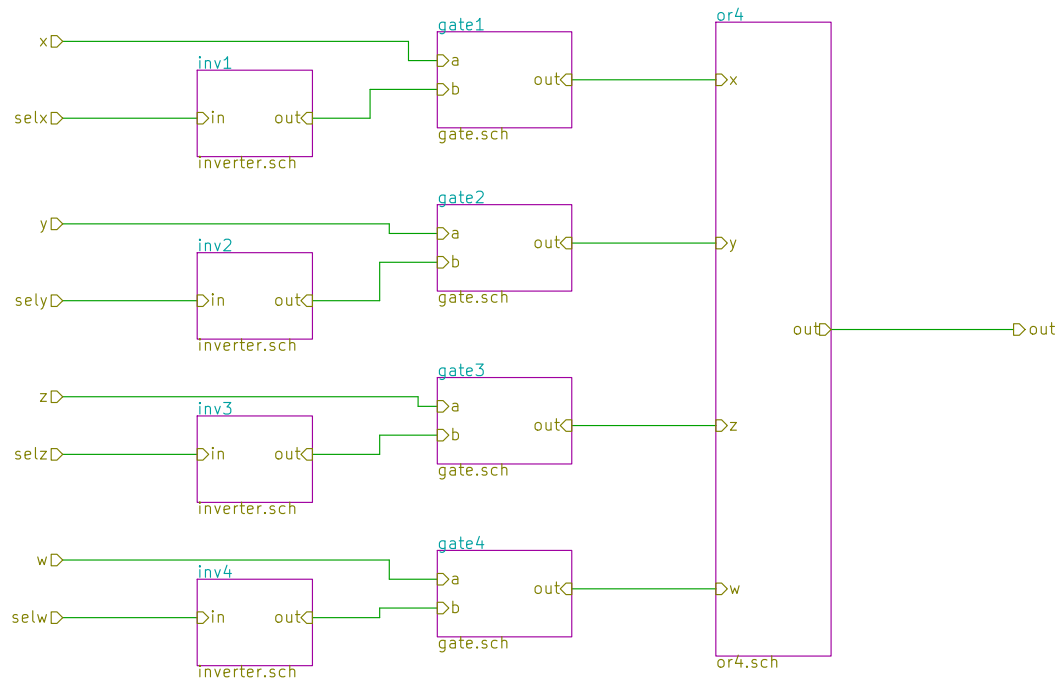
Peter Monta	
File: wr.sch	
Sheet: /wr/	
Title: write signal	
Size: A	Date: 22 feb 2011
KiCad E.D.A.	Rev:
	Id: 2/453



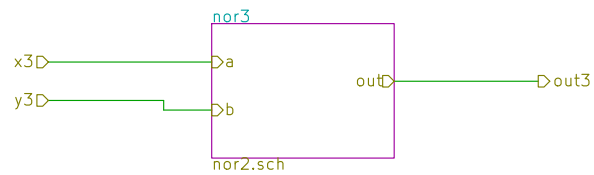
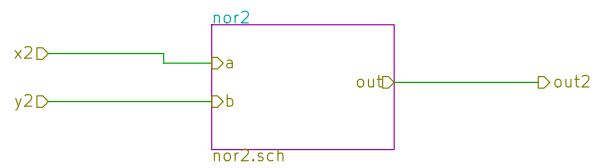
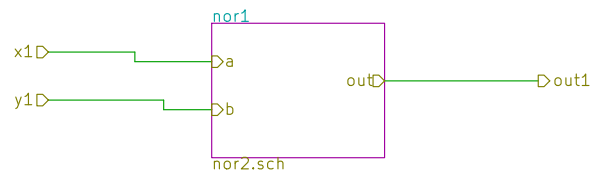
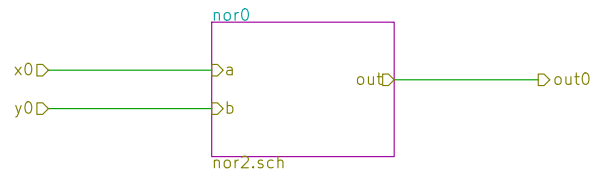
Peter Monta	
File: zero.sch	
Sheet: /zero/	
Title: Zero flag	
Size: A	Date: 22 feb 2011
KiCad E.D.A.	Rev:
	Id: 5/453



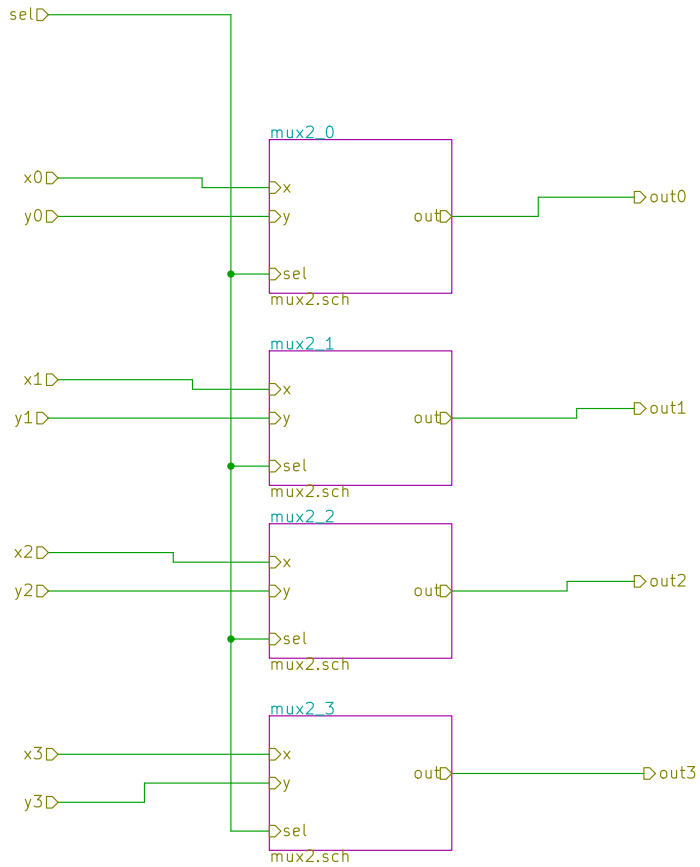
Peter Monta	
File: sel3.sch	
Sheet: /pc select/sel3_4/	
Title: 3:1 mux	
Size: A	Date: 22 feb 2011
KiCad E.D.A.	Rev:
	Id: 167/453



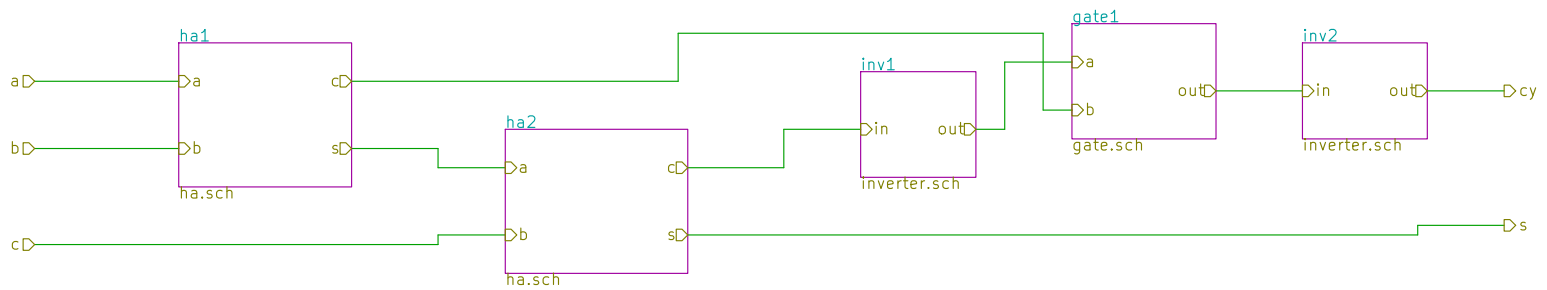
Peter Monta	
File: sel4.sch	
Sheet: /a select/sel4_3/	
Title: 4:1 mux	
Size: A	Date: 22 feb 2011
KiCad E.D.A.	Rev:
	Id: 384/453



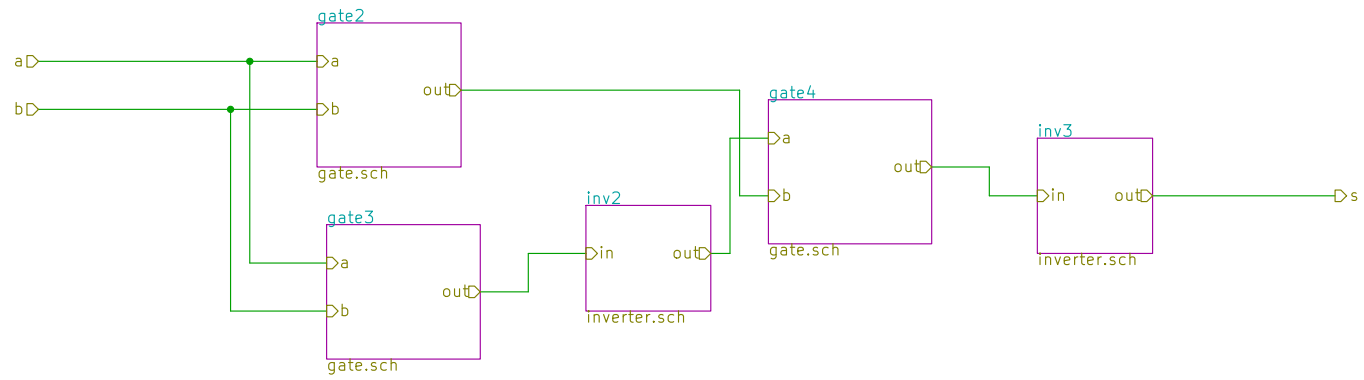
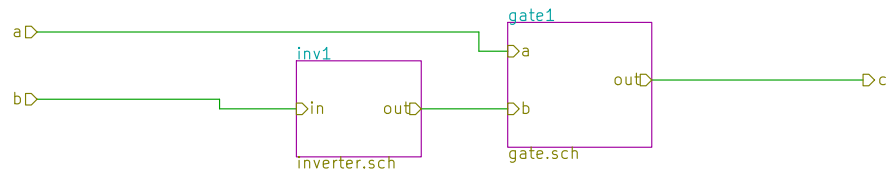
Peter Monta	
File: nor.sch	
Sheet: /NOR/	
Title: NOR instruction support	
Size: A	Date: 22 feb 2011
KiCad E.D.A.	Rev: Id: 244/453



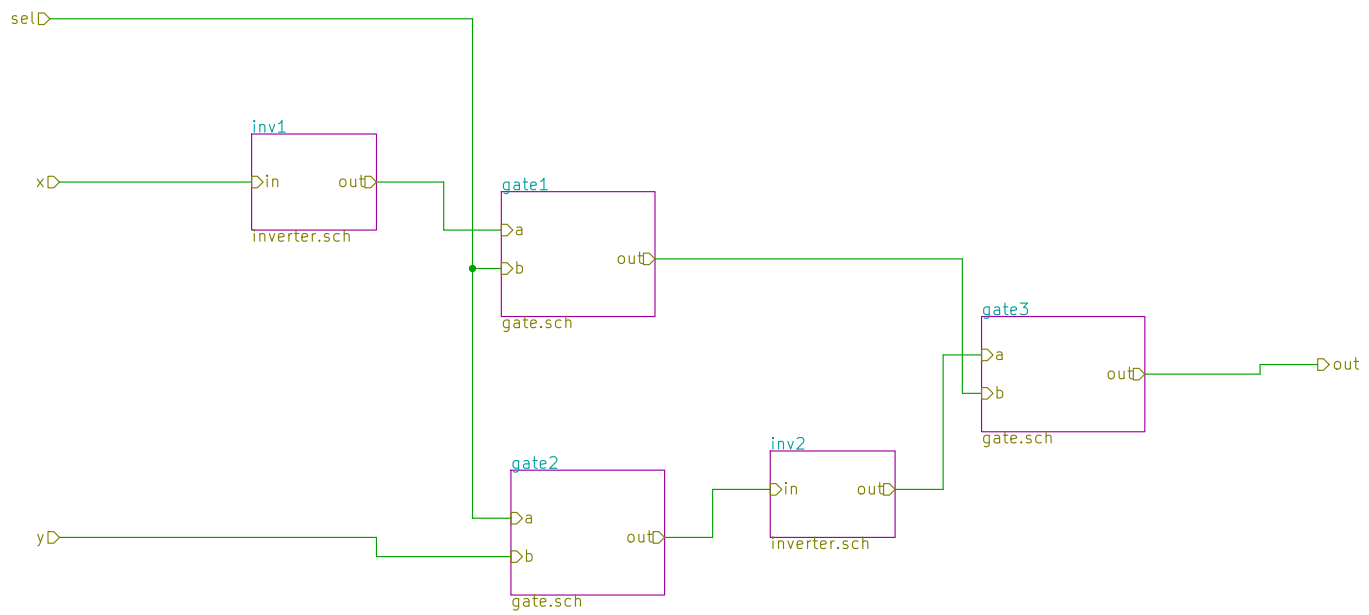
Peter Monta	
File: mux2_4.sch	
Sheet: /mux1/	
Title: 2:1 mux, 4 bits	
Size: A	Date: 22 feb 2011
KiCad E.D.A.	Rev:
	Id: 12/453



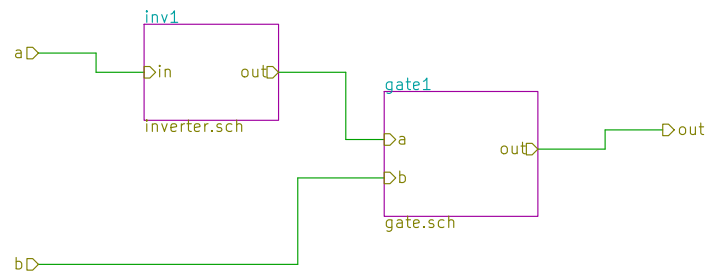
Peter Monta		
File: fa.sch		
Sheet: /ALU/fa3/		
Title:		
Size: A4	Date: 22 feb 2011	Rev:
KiCad E.D.A.		Id: 258/453



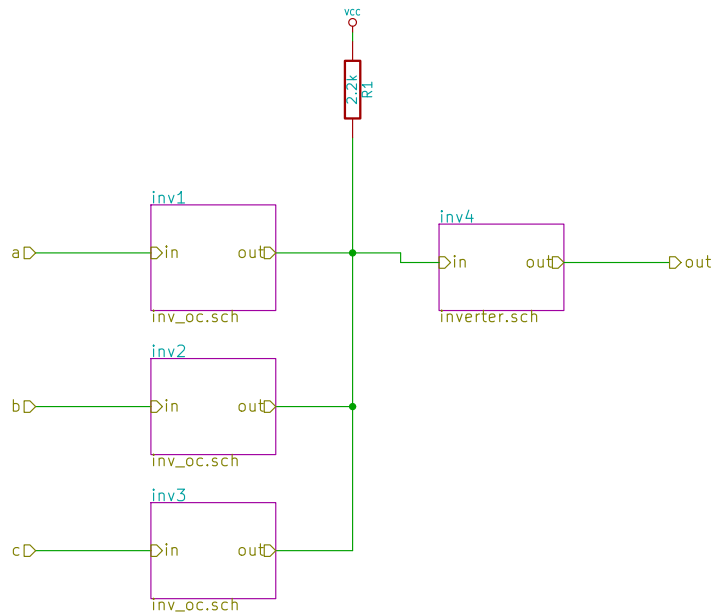
Peter Monta	
File: ha.sch	
Sheet: /incrementer/ha4/	
Title: half adder	
Size: A	Date: 22 feb 2011
KiCad E.D.A.	Rev: Id: 70/453



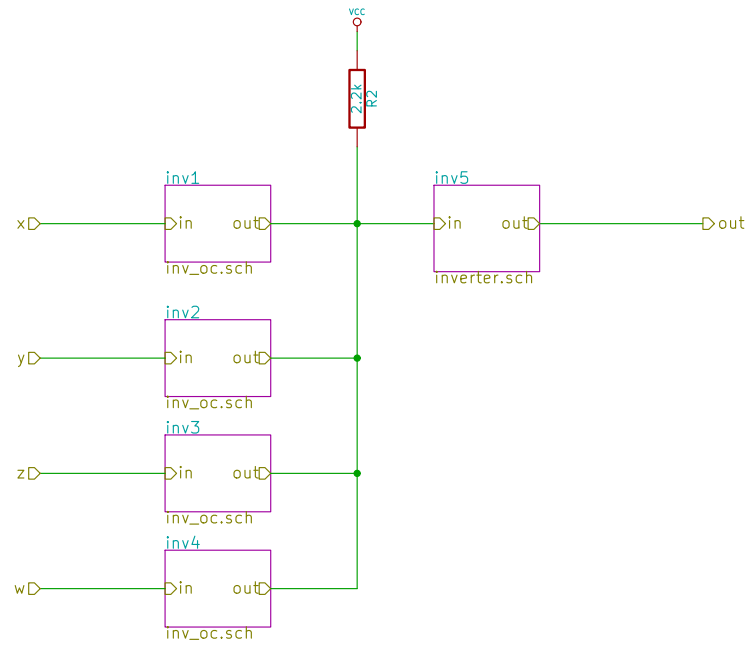
File: mux2.sch	
Sheet: /mux1/mux2_3/	
Title: 2:1 mux	
Size: A	Date: 22 feb 2011
KiCad E.D.A.	Rev:
	Id: 13/453



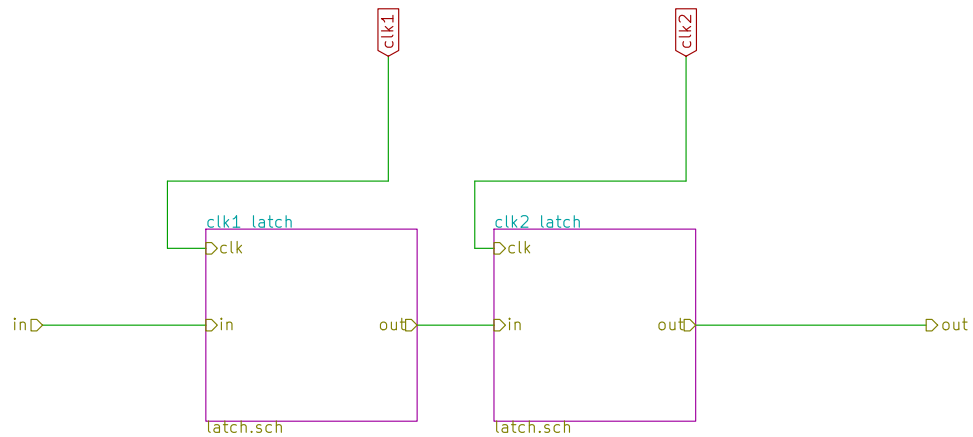
File: nor2.sch		
Sheet: /NOR/nor3/		
Title:		
Size: A4	Date: 22 feb 2011	Rev:
KiCad E.D.A.		Id: 245/453



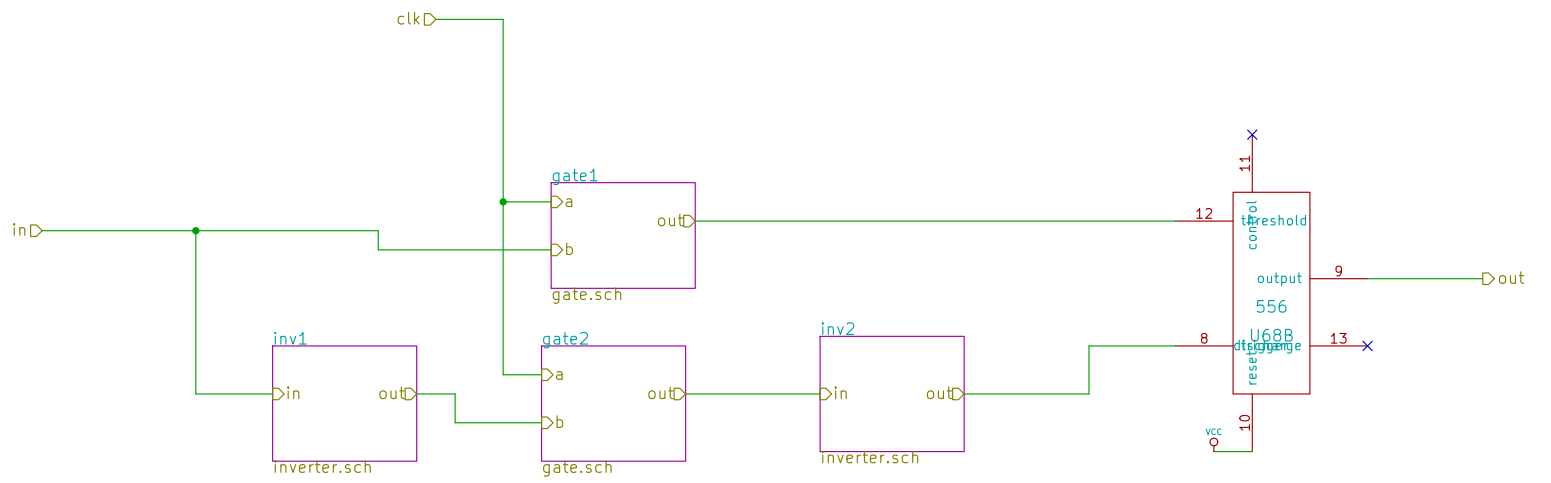
Peter Monta	
File: or3.sch	
Sheet: /pc select/or3/	
Title: 3-input OR gate	
Size: A	Date: 22 feb 2011
KiCad E.D.A.	Rev:
	Id: 182/453



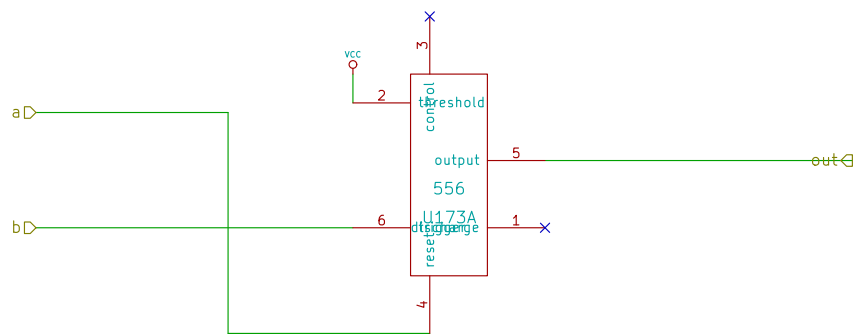
Peter Monta	
File: or4.sch	
Sheet: /a select/sel4_0/or4/	
Title: 4-input OR	
Size: A	Date: 22 feb 2011
KiCad E.D.A.	Rev: Id: 430/453



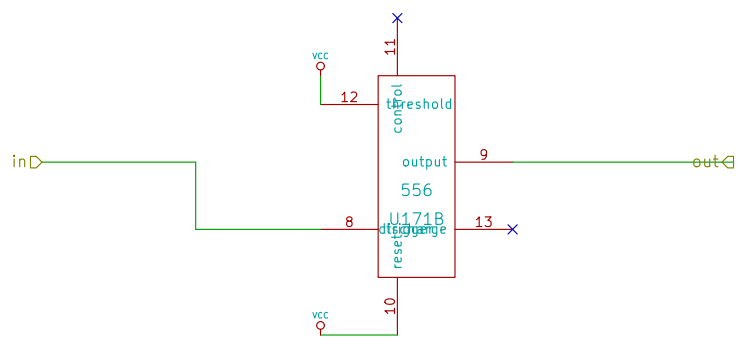
Peter Monta	
File: ff.sch	
Sheet: /pc_register/ff0/	
Title: Flip-flop	
Size: A	Date: 22 feb 2011
KiCad E.D.A.	Rev: 1
	Id: 155/453



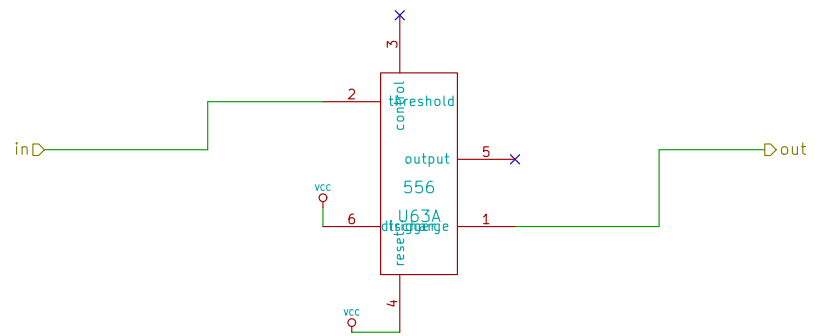
Peter Monta	
File: latch.sch	
Sheet: /pc_register/ff0/clk2 latch/	
Title: Latch	
Size: A	Date: 22 feb 2011
KiCad E.D.A.	Rev:
	Id: 156/453



Peter Monta	
File: gate.sch	
Sheet: /pc register/ff0/clk1 latch/gate1/	
Title: gate	
Size: A	Date: 22 feb 2011
KiCad E.D.A.	Rev: Id: 162/453



Peter Monta	
File: inverter.sch	
Sheet: /pc_register/ff0/clk1 latch/inv1/	
Title: inverter	
Size: A	Date: 22 feb 2011
KiCad E.D.A.	Rev: Id: 165/453



Peter Monta	
File: inv_oc.sch	
Sheet: /pc select/or3/inv1/	
Title: Inverter with open-collector output	
Size: A	Date: 22 feb 2011
KiCad E.D.A.	Rev:
	Id: 186/453